

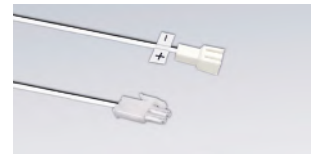
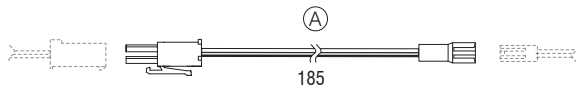
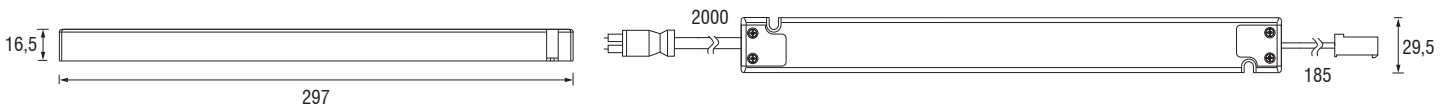
DRIVER 100W SLIM

LED 24V IN 120 ÷ 240V

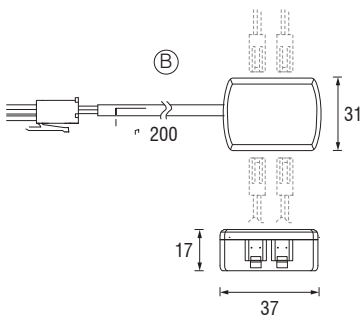
- IT** Driver per LED con cavo e connettore JST - Tipo indipendente per uso interno, tensione di uscita costante 24V; protetto contro il corto circuito e il sovraccarico.
- EN** LED driver with cable and JST-connector - Independent type for internal use, constant exit voltage 24V, protected against short circuit and overload.
- DE** LED-Konverter mit Kabel und JST-Stecker - Unabhängige Konverter mit ständiger Ausgangsspannung 24V, kurzschlussfest und ueberbelastungsgeschuetzt.



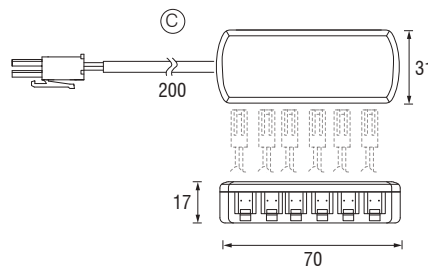
CE ENEC 1609 M/M 18 c UL US SELV IP20



(A) Cavo per connessione singola
Single connection cable
Einzerverbindungskabel



(B) Distributore a 4 uscite
4-way distribution box
4-fach Verteiler



(C) Distributore a 6 uscite
6-way distribution box
6-fach Verteiler

| Alimentatore - Driver - LED-Konverter | | | | | | |
|--|-----------|-------|------|---------------------------------|-----|-------|
| V IN | Hz | V OUT | W | Codice - Part no. - Artikel-Nr. | | |
| 120V ÷ 240V | 50...60Hz | 24V | 100W | 3T496602 | | |
| Accessori - Accessories - Zubehör | | | | Codice - Part no. - Artikel-Nr. | Pcs | Kg |
| A) Prolunga / A) Extension / A) Verlängerungskabel | | | | 6LC10008 | 1 | 0,005 |
| B) 4 uscite / B) 4 Way / B) 4-fach | | | | 1T3001 | 1 | 0,021 |
| C) 6 uscite / C) 6 Way / C) 6-fach | | | | 1T3002 | 1 | 0,028 |

Dimensioni in millimetri (mm) / Dimensions in Millimeters (mm) / Dimensionen in Millimetern (mm)

Compatibile con prodotti LED 24V
Compatible with 24V LED products / Kompatibel mit 24V LED Produkten

