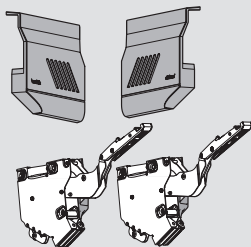


Required parts

Lift mechanism set

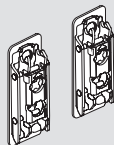


Set includes:

- Lift mechanism (qty 2)
- Cover plate (left and right)
- #7 x 35 mm (1-3/8") wood screw (qty 6)

Power factor	Opening angle	Part no.
19 — 39	107°	20K2B00.N1
40 — 85	107°	20K2C00.N1
86 — 177	107°	20K2E00.N1

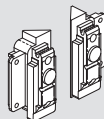
Wood or wide aluminum door mounting plate



- Wood or wide aluminum mounting plate (qty 2)

	Part no.
Wood or wide aluminum mounting plate	175H3100
Installation screw for wood doors	606N or 606P
Installation screw for wide alum doors	7072A

Narrow aluminum door mounting plate



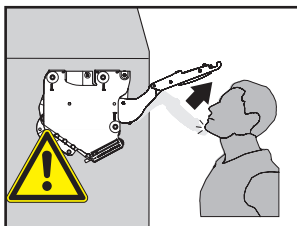
- Narrow aluminum mounting plate (qty 2)
(for use with AVENTOS HK-S only)
- Includes 699.1100 installation screws (qty 4)

	Part no.
Narrow aluminum mounting plate	20K4A00A02

Recommended parts for tension adjustment

Use of a POZI bit insert and bit holder is recommended when adjusting the tension of the lift mechanism.

	Part no.
#2 x 2" POZI bit insert	POZI BIT #2x2
1/4" bit holder	BIT HOLDER



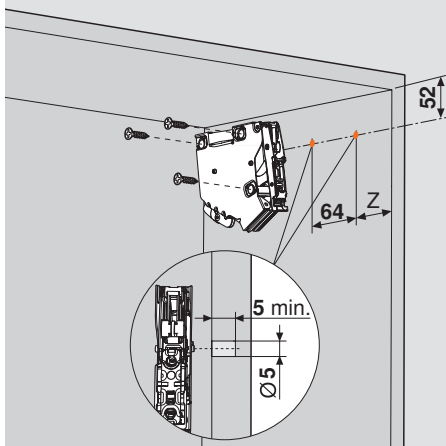
WARNING

Risk of injury from spring-loaded arm

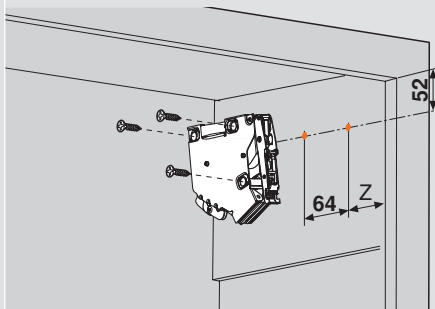
- Do not push arm assembly down or leave in the down position
- Remove mechanism before installing or removing cabinet

1 Locating pin locations and minimum depth

Panel



Face frame



NOTE: Face frame cabinets can be blocked out flush with the frame or use optional face frame adapter.

Overlay	up to 20	24	26
Z	37	35.5	34.5

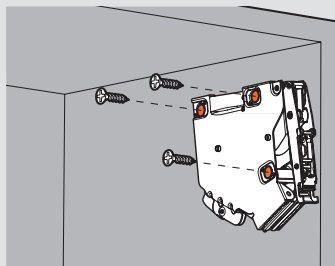
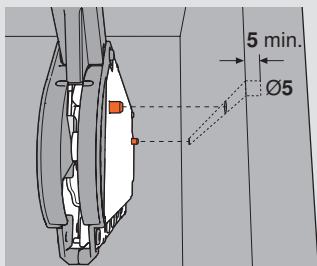
Part no.

Universal individual template is available for pre-boring locating pins

65.1051.02

2 Attaching the lift mechanism

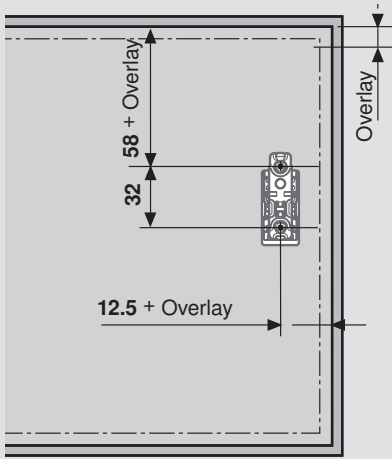
Align the lift mechanism in the cabinet using the 5 mm locator pins and attach the mechanism with the three wood screws provided.



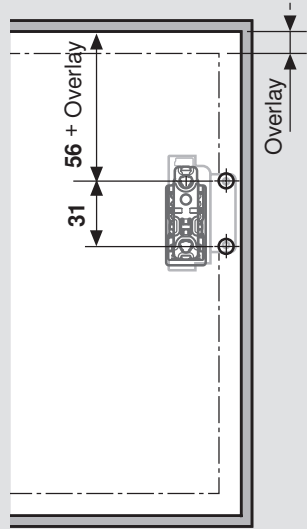
#7 x 35 mm (1-3/8") wood screws (qty 3)

Attaching the mounting plates

3a Wood/wide aluminum frame doors



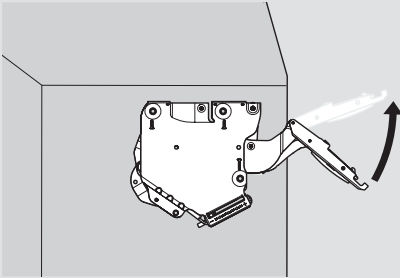
3b Narrow aluminum frame doors



NOTE: Attach each mounting plate with two 606N or 606P wood screws for wood doors, two 7072A screws for wide aluminum doors or two 699.110 screws for narrow aluminum doors

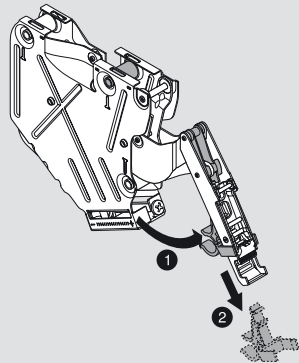
4 Raise lever arm assembly with caution

A



Standing at arm's length carefully raise the arm to the upright position.

B

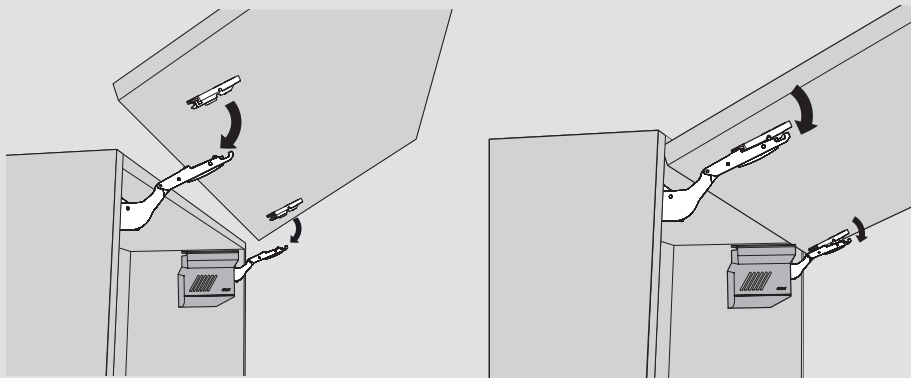


Carefully remove the plastic tab .

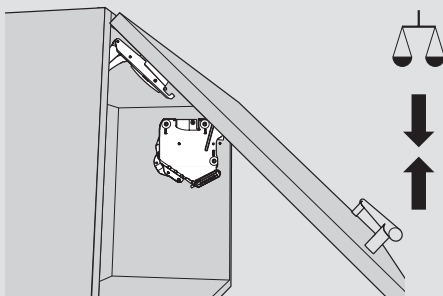
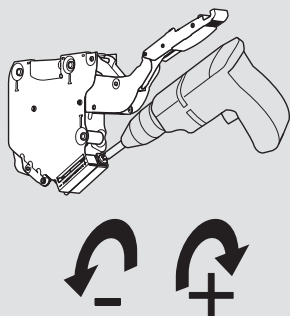


Risk of injury from spring-loaded arm.

NOTE: Do not remove plastic tab until just before attaching the door

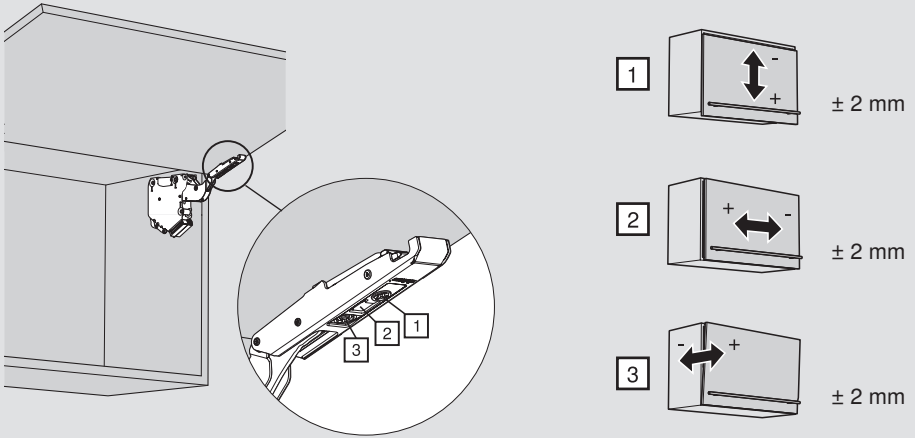
5 Attaching the door

Attach the door using the CLIP mechanism in the mounting plate.

6 Adjust the door tension

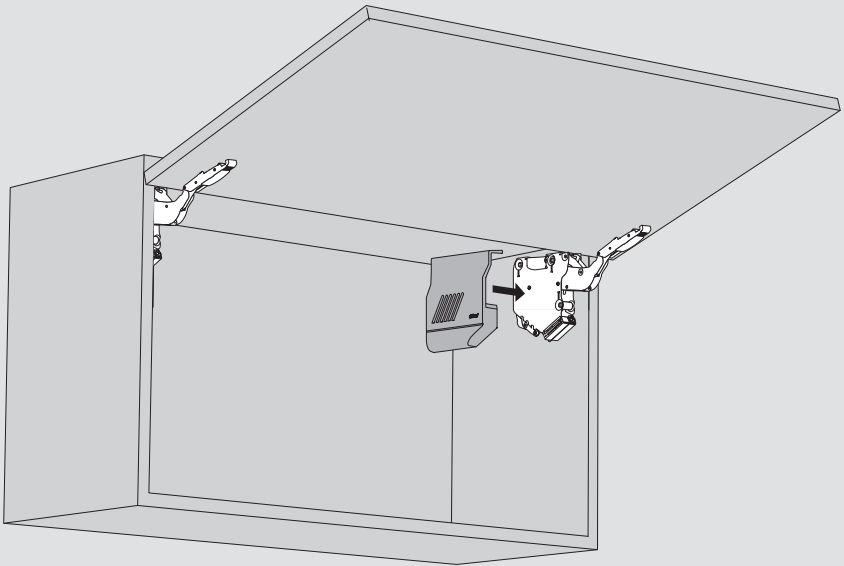
Use a screw gun, POZI driver bit insert and bit holder to adjust each lift mechanism to the desired tension.

7 Finalize the door adjustments

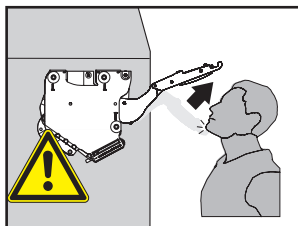


Use a POZI screwdriver on cam adjustments for each of the three 3-dimensional adjustments.

8 Attach cover caps



Place the left and right cover plates over the appropriate lift mechanisms and snap them in place.

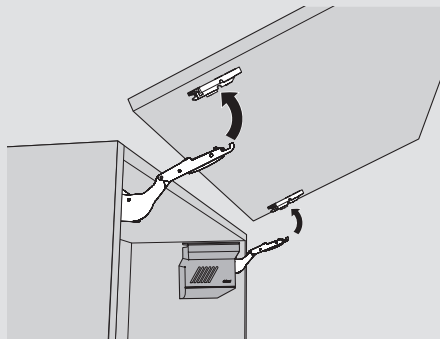
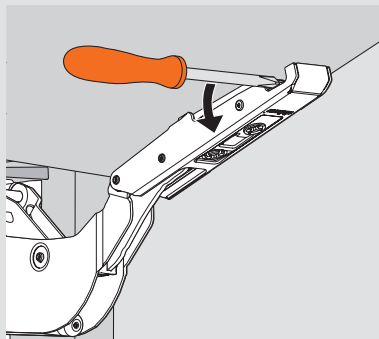


WARNING

Risk of injury from spring-loaded arm

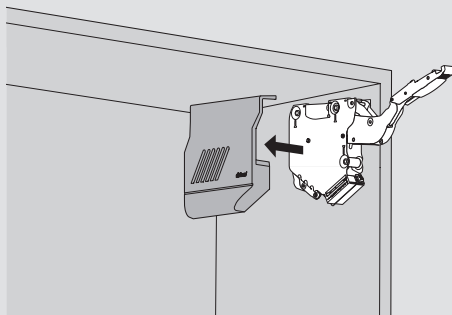
- Do not push arm assembly down or leave in the down position
- Remove mechanism before installing or removing cabinet

1 Removing the door



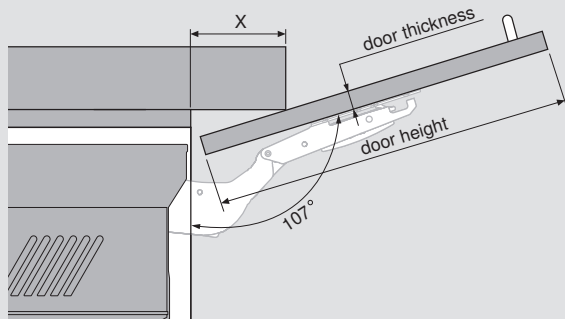
- Disengage the CLIP mechanism of the lever arm from the mounting plate
- Support the door with one hand and repeat on the other side

2 Removing the covers



Remove the cover plate.

Panel and Face frame clearance



Door thickness	16	19	22	26
X	70	59	49	35

Inch		mm
1/32	.031	1
1/16	.063	1.5
3/32	.094	2
1/8	.125	3
5/32	.156	4
3/16	.188	5
7/32	.219	5.5
1/4	.25	6
9/32	.281	7
5/16	.313	8
11/32	.344	9
3/8	.375	9.5
13/32	.406	10
7/16	.438	11
15/32	.469	12
1/2	.5	13
17/32	.531	13.5
9/16	.563	14
19/32	.594	15
5/8	.625	16
21/32	.656	17
11/16	.688	17.5
23/32	.719	18
3/4	.75	19
25/32	.781	20
13/16	.813	20.5
27/32	.844	21
7/8	.875	22
29/32	.906	23
15/16	.938	24
31/32	.969	24.5
1	1	25.4

Blum, Inc.
 800-438-6788
 sales.us@blum.com
 blum.com