

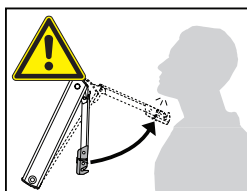
Required parts

Lift mechanism set			
	Power factor range (1 lift)	Power factor range (2 lifts)	Part no.
	17 — 60	34 — 120	20K1101
	61 — 112	121 — 224	20K1301
	113 — 156	225 — 312	20K1501

Cabinet mounting plate		
		Part no.
	Screw-on	20K5101
	EXPANDO (Ø5 dowel)	20K51E1

Door mounting plate		
		Part no.
	Screw-on	20K4101

Hinge recommendations		
	CLIP top BLUMOTION 110°	Part no.
	Press-in	71B950A
	Hinge mounting plate	Part no.
	EXPANDO (Ø5 dowel)	177H3100E

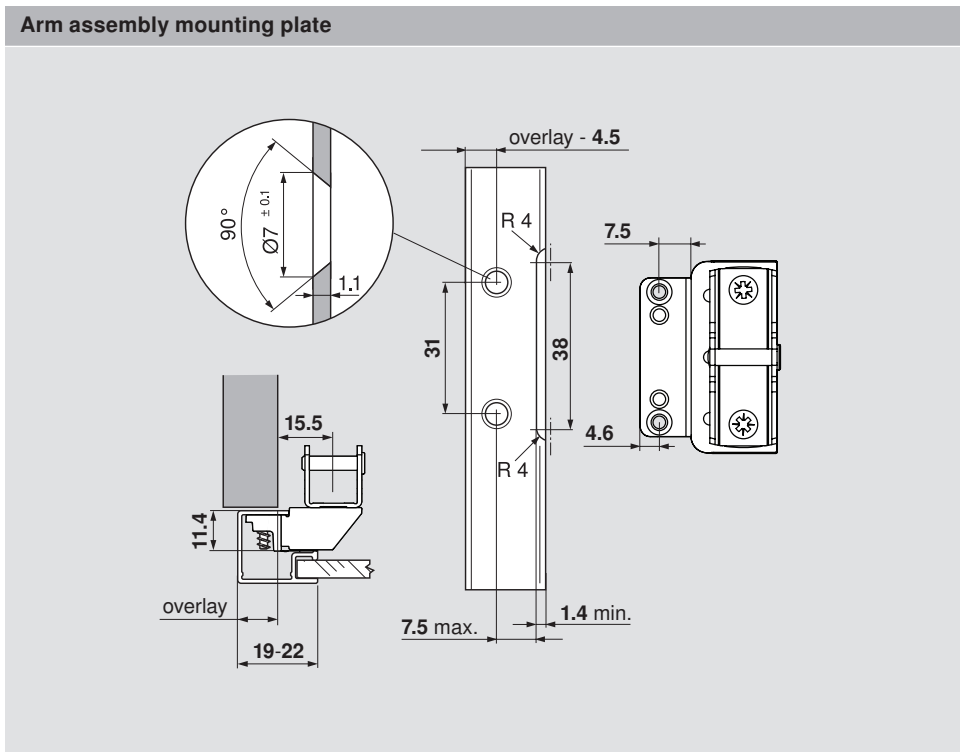


WARNING

Risk of injury from spring-loaded arm

- Do not push arm assembly down or leave in the down position
- Remove mechanism before installing or removing cabinet

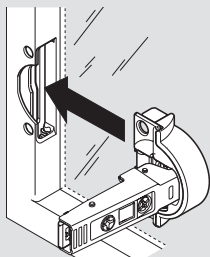
Lift mechanism	Door mounting plate	CLIP top BLUMOTION 95°
<p>$Y = 137 + D + K$</p>	<p>Attach using #6 x 11 (699.110) aluminum screw</p>	



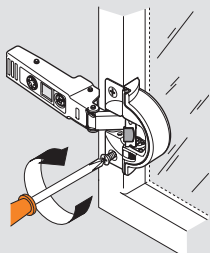
Abbreviations			
W	= Side panel width	K	= Hinge arm crank
T	= Door thickness	OL	= Overlay
D	= Mounting plate height	K = Hinge arm crank	
		Straight arm crank	= 0
		Half-cranked arm	= 9.5
		Full-cranked arm	= 18

Installation

Attach cup adapter to the hinge and insert into machined openings



Attach using aluminum screws provided with hinges (699.110)

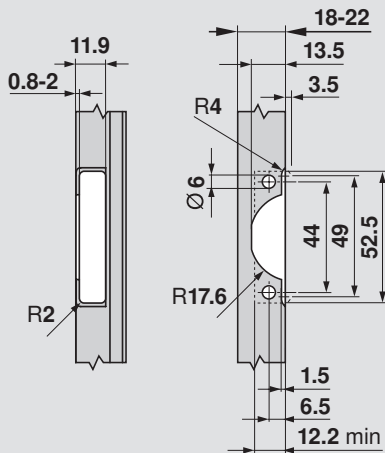


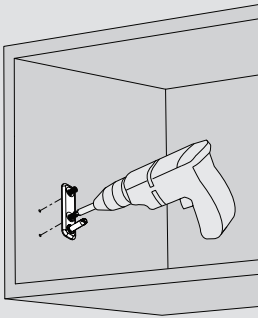
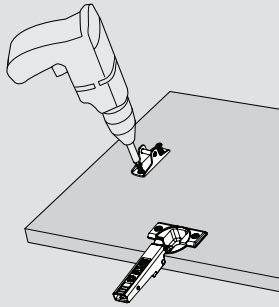
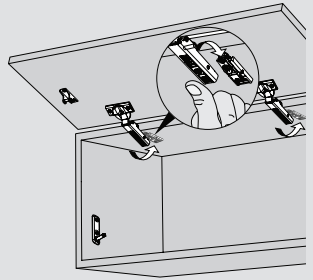
Minimum Reveal Table

CLIP top BLUMOTION 95°						
18	0.2	0.3	0.4	0.6	0.7	
19	0.2	0.3	0.4	0.6	0.7	
20	0.2	0.3	0.4	0.5	0.7	
21	0.2	0.3	0.4	0.5	0.7	
22	0.2	0.3	0.4	0.5	0.7	
door frame width	18	19	20	21	22	
T = door thickness						

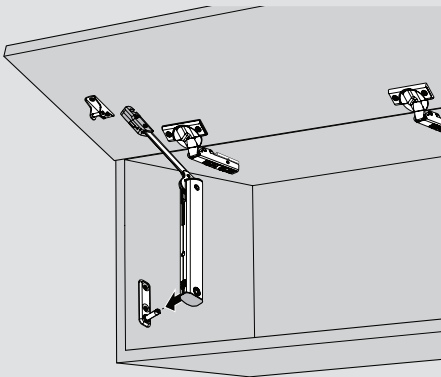
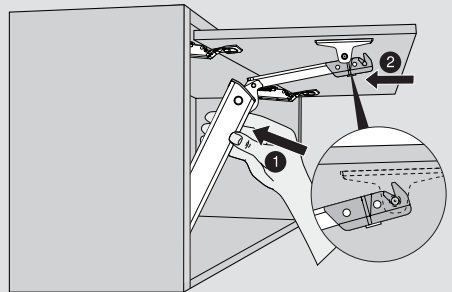
Thickness greater than 22 trial recommended

Aluminum door preparation

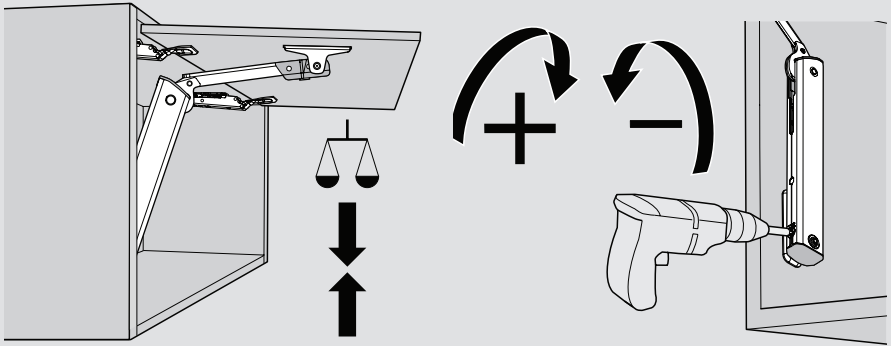


1 Attaching Cabinet and Door Mounting Plate**1a** Attach cabinet mounting plate**1b** Attach door mounting plate. Insert hinge.**1c** Attach door to the cabinet

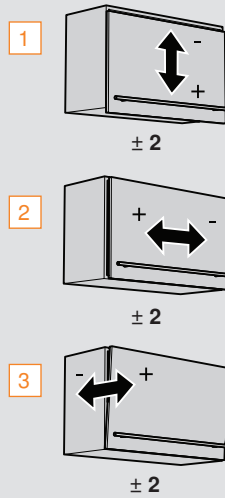
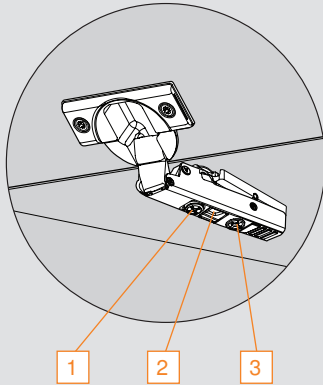
Attach the door using the CLIP mechanism in the mounting plate.

2 Attaching Lift Mechanism to Cabinet**2a** Attach lift to cabinet mounting plate**2b** Attach lift mechanism to door

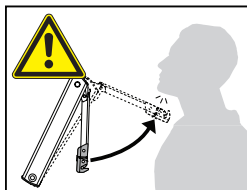
3 Adjusting the Lift Mechanism



4 Adjusting the Door



Use a POZI screwdriver on cam adjustments for each of the three 3-dimensional adjustments.



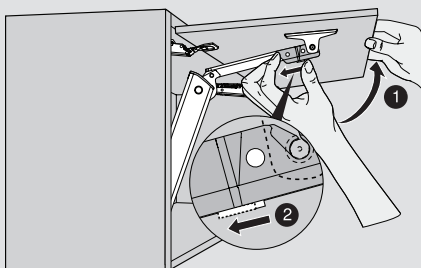
WARNING

Risk of injury from spring-loaded arm

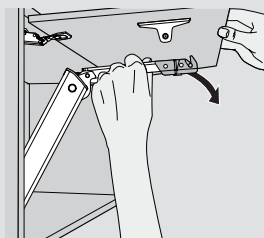
- Do not push arm assembly down or leave in the down position
- Remove mechanism before installing or removing cabinet

1 Removing the door

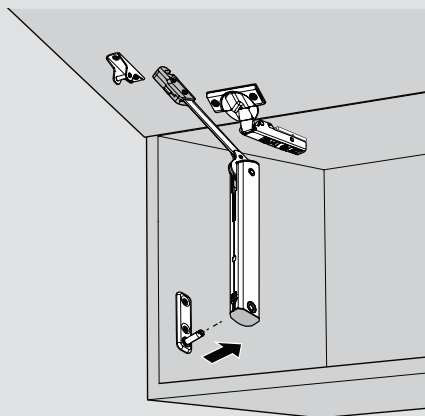
A Remove arm from cabinet mounting plate



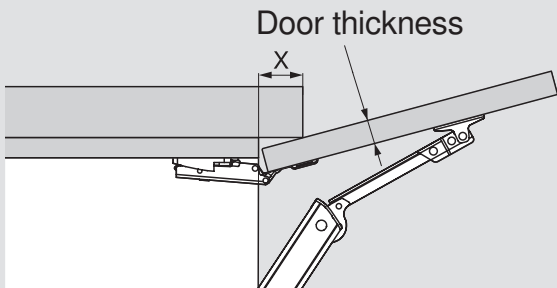
B



C Remove lift mechanism from door



Cornice and crown molding clearance



Door thickness	16	19	22	24
X	45	34	23	15

Inch		mm
1/32	.031	1
1/16	.063	1.5
3/32	.094	2
1/8	.125	3
5/32	.156	4
3/16	.188	5
7/32	.219	5.5
1/4	.25	6
9/32	.281	7
5/16	.313	8
11/32	.344	9
3/8	.375	9.5
13/32	.406	10
7/16	.438	11
15/32	.469	12
1/2	.5	13
17/32	.531	13.5
9/16	.563	14
19/32	.594	15
5/8	.625	16
21/32	.656	17
11/16	.688	17.5
23/32	.719	18
3/4	.75	19
25/32	.781	20
13/16	.813	20.5
27/32	.844	21
7/8	.875	22
29/32	.906	23
15/16	.938	24
31/32	.969	24.5
1	1	25.4

Blum, Inc.
 800-438-6788
 sales.us@blum.com
 blum.com