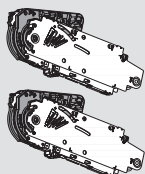


Lift mechanism set



- Lift mechanism (qty 2)
- #7 x 35 mm (1-3/8") wood screw (qty 10)

Part no.

20S2A00.N5

20S2B00.N5

20S2C00.N5

20S2D00.N5

20S2E00.N5

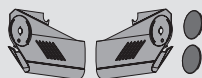
20S2F00.N5

20S2G00.N5

20S2H00.N5

20S2I00.N5

Cover set



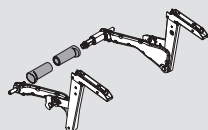
- Right and left cover plate
- Non-handed cover caps (qty 2)

Part no.

Cover set

20S8000.NA

Arm assembly set



- Right and left arm assembly
- Stabilizer rod cover cap (qty 2)

Part no.

Arm assembly set

20S3500.06

Round stabilizer rod



- Aluminum rod length **1061** (41-3/4"), cut to size
- Length = interior cabinet opening minus **129** (5-1/16")

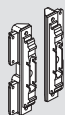
Part no.

Round stabilizer rod

20Q1061UN

**NOTE:** For cabinets wider than 48" two stabilizer rods and a stabilizer rod connector set required

Narrow aluminum hardware set



- Arm assembly mounting plate (qty 2)
- 699.110 — Aluminum screw for narrow aluminum lever arm mounting plate (qty 8)

Part no.

Narrow aluminum hardware set

20S4200A

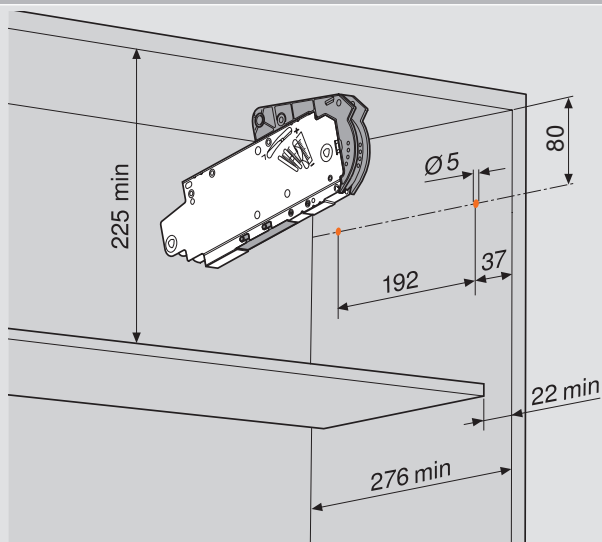


# WARNING

Risk of injury from spring-loaded arm

- Do not push arm assembly down or leave in the down position
- Remove mechanism before installing or removing cabinet

## 1 Locating pin locations and minimum depth



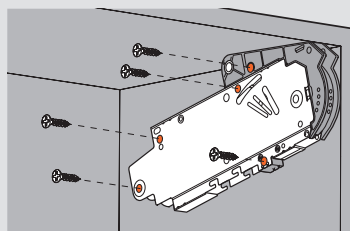
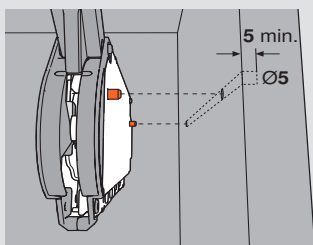
Part no.

Universal individual template is available for pre-boring 5 mm locating pins

**65.1051.02**

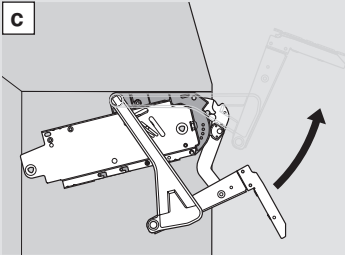
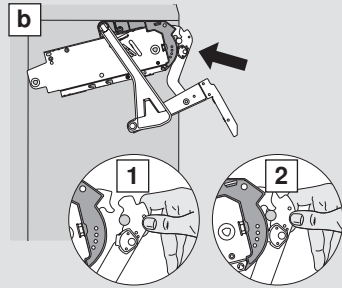
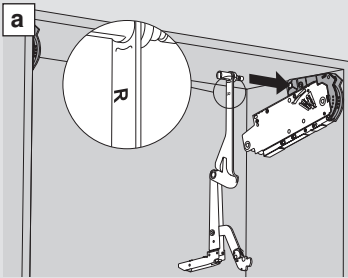
## 2 Attaching the lift mechanism

Align the lift mechanism in the cabinet using the 5 mm locator pins and attach the mechanism with the five wood screws provided.



#7 x 35 mm (1-3/8") wood screws (qty 5)

### 3 Attaching the arm assembly



**Before starting, see safety note on page 2**

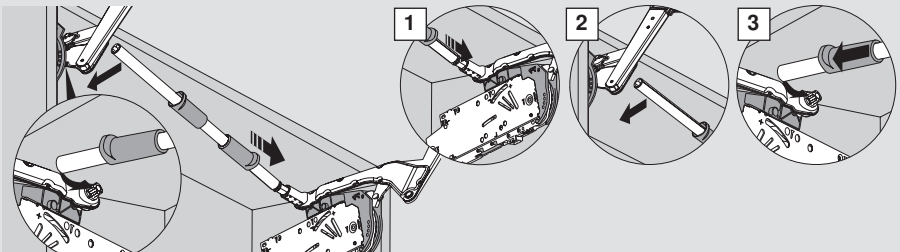
- a. Find the right and left arm assemblies and match them to the correct side of the cabinet.
- b. Attach the arm assembly to the lift mechanism as shown.
- c. Lift up on the arm assembly to lock into place.



**Risk of injury from spring loaded arm.**

### 4 Attaching the stabilizer rod

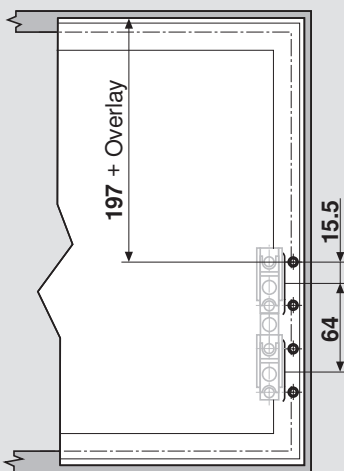
Cut the stabilizer rod to fit the cabinet. Length = Interior cabinet opening minus **129 (5-1/6")**  
After cutting the rod to size follow steps 1, 2, and 3 below.



- 1** Slide the stabilizer arm cover caps onto the rod
- 2** Attach the stabilizer rod to spring loaded arm assembly
- 3** Slide stabilizer arm cover caps over rod on each end

### 5a Mounting plate position

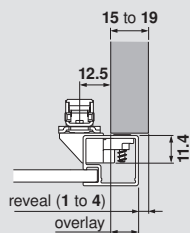
Attach the mounting plate to the door.



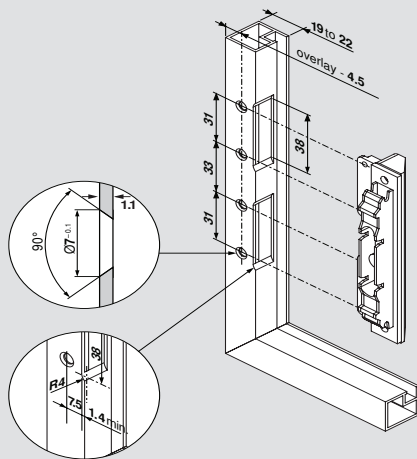
Minimum 5 side reveal when adjacent to wall

**NOTE:** All four screws must be installed

### 5b Planning narrow alum. frames

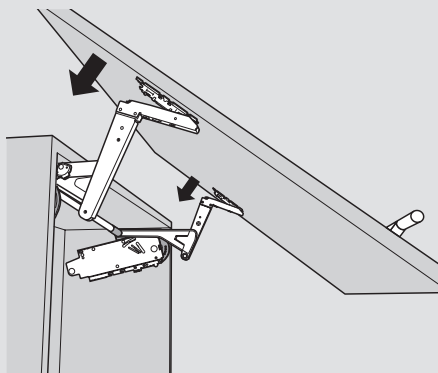
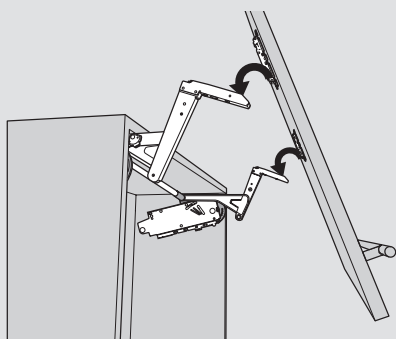


**NOTE:** When changing material thickness, adjust assembly dimensions.



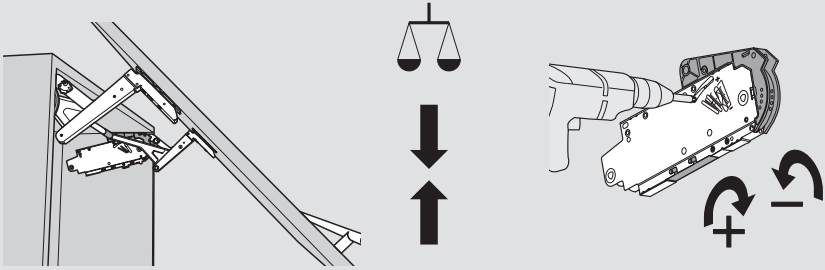
### 6 Attaching the door

Attach the door using the CLIP mechanism to the arm assembly



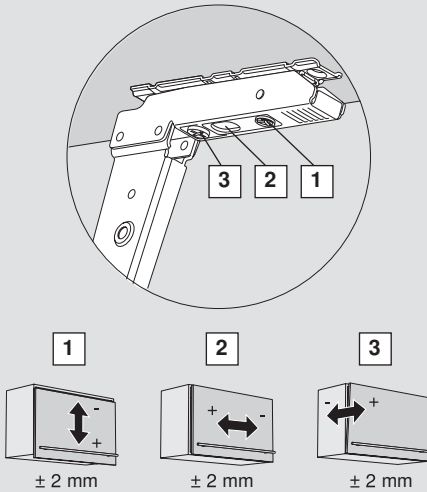
## 7 Adjusting the lift mechanism tension

Use a screw gun and the #2 x 2 POZI driver bit to adjust the lift mechanism to the desired tension.



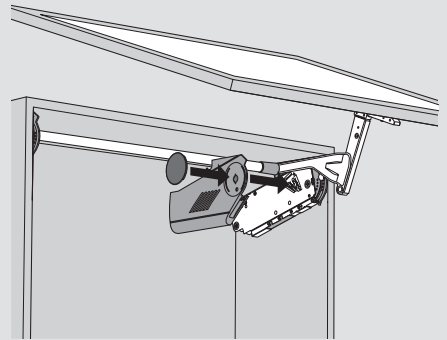
## 8 Adjusting the door

Use a POZI screwdriver to adjust cam adjustments for each of the three-dimensional adjustments.



## 9 Attach covers

Snap the symmetrical cover caps on each cover plate. Place the left and right cover plates over the appropriate lift mechanisms and snap them in place.





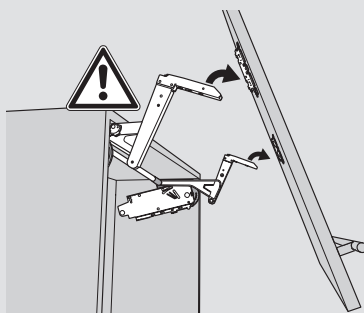
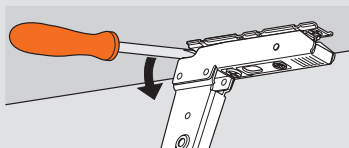
# WARNING

Risk of injury from spring-loaded arm

- Do not push arm assembly down or leave in the down position
- Remove mechanism before installing or removing cabinet

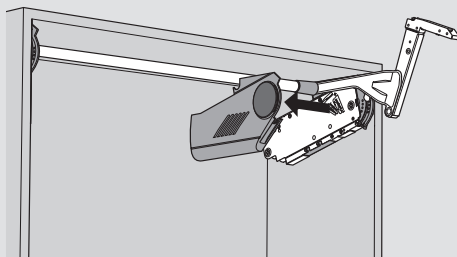
## 1 Removing the door

Open the door. Use a screwdriver to disengage the CLIP mechanism of the arm assembly from the mounting plate.



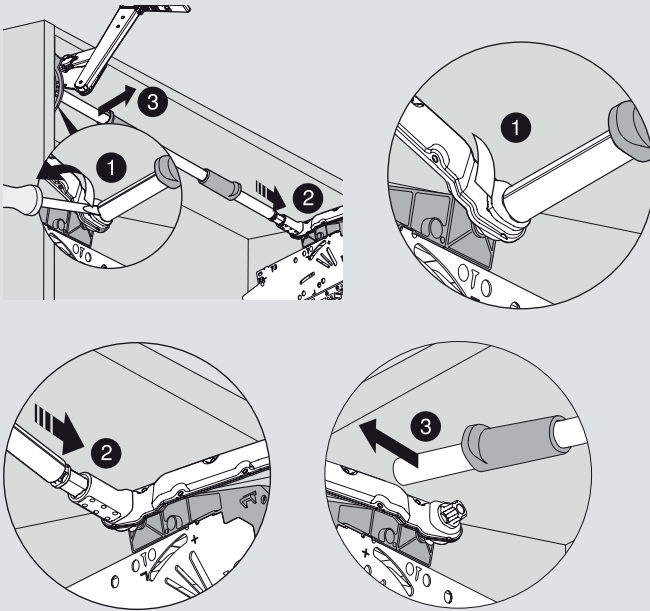
## 2 Remove the covers

Remove the left and right cover plates.



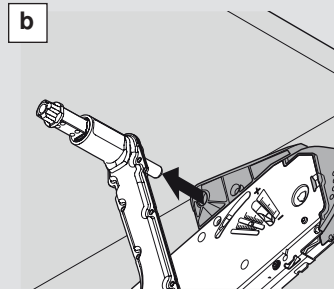
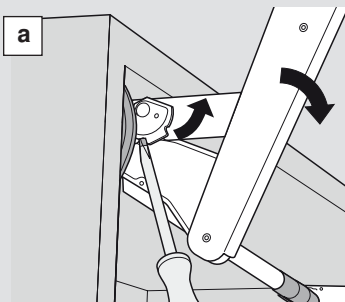
### 3 Remove the stabilizer rod

Pull back the stabilizer rod cover caps and loosen the locking screw on each end of the stabilizer rod. Remove the Stabilizer rod from the cabinet.

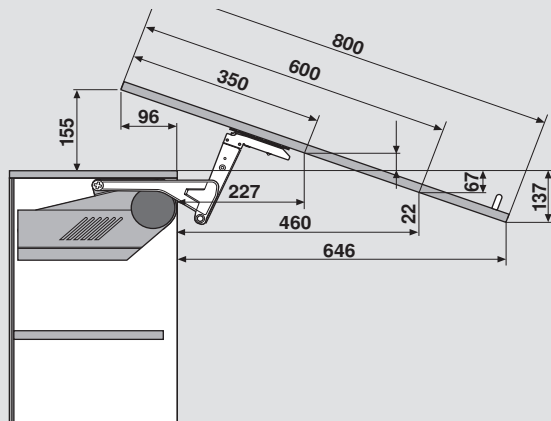


### 4 Removing the arm assembly

- a** Use a screwdriver to disengage the arm assembly as shown.
- b** Remove arm assembly from mechanism. Cabinet is now ready for transport.



Panel door protrusion for common cabinet heights



Inch		mm
1/32	.031	1
1/16	.063	1.5
3/32	.094	2
1/8	.125	3
5/32	.156	4
3/16	.188	5
7/32	.219	5.5
1/4	.25	6
9/32	.281	7
5/16	.313	8
11/32	.344	9
3/8	.375	9.5
13/32	.406	10
7/16	.438	11
15/32	.469	12
1/2	.5	13
17/32	.531	13.5
9/16	.563	14
19/32	.594	15
5/8	.625	16
21/32	.656	17
11/16	.688	17.5
23/32	.719	18
3/4	.75	19
25/32	.781	20
13/16	.813	20.5
27/32	.844	21
7/8	.875	22
29/32	.906	23
15/16	.938	24
31/32	.969	24.5
1	1	25.4

Blum, Inc.  
 800-438-6788  
 sales.us@blum.com  
 blum.com